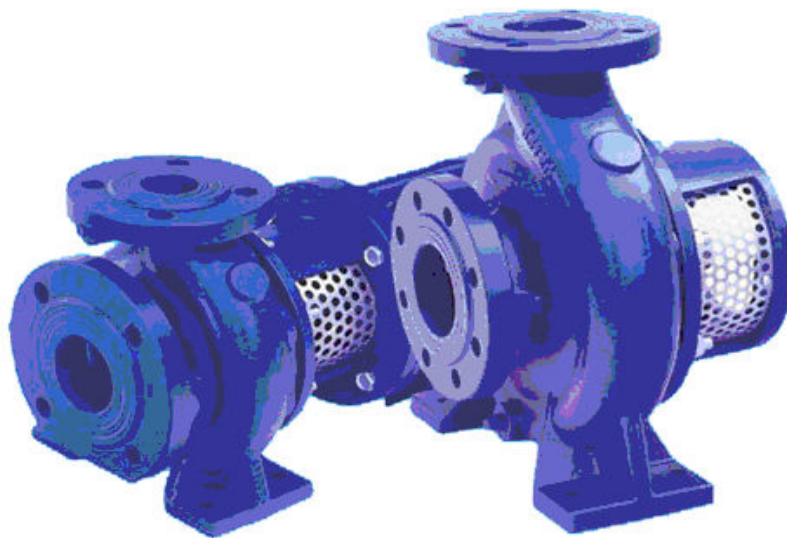


# DEEP BLUE PUMP COMPANY

## WATERFLO WFM Series Close Coupled Pumps



### **Description:**

Waterflo WFM pump series are designed and manufactured to the European Standard DIN24255. This is a closed coupled version. The advantage is that the pump can be fitted to IEC standard electric motors. This provides a wide range of motor to select from. Meanwhile, an extra bearing has been set onto the connecting rack in order to make the pump's performance more stable.

### **Operating Range:**

Flow Rate (Q) :2-290 m<sup>3</sup>/h

Total Head (H) :5-130m

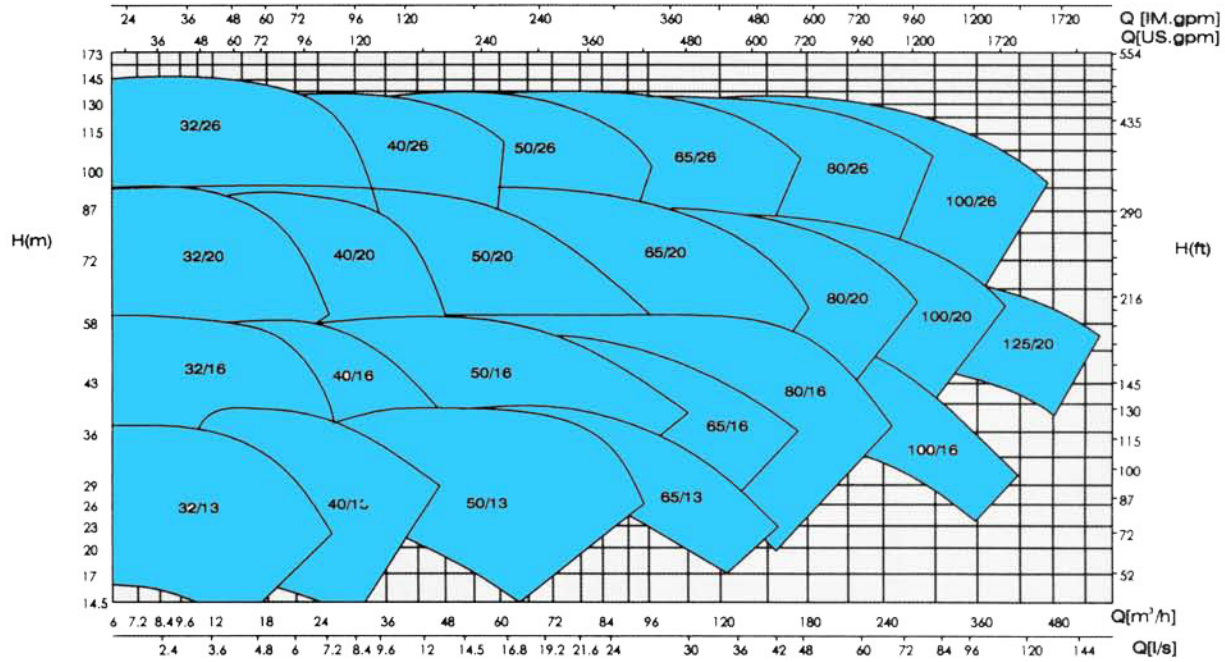
Speed :1450-2900 rmp (50Hz)

1750-3500 rmp (60Hz)

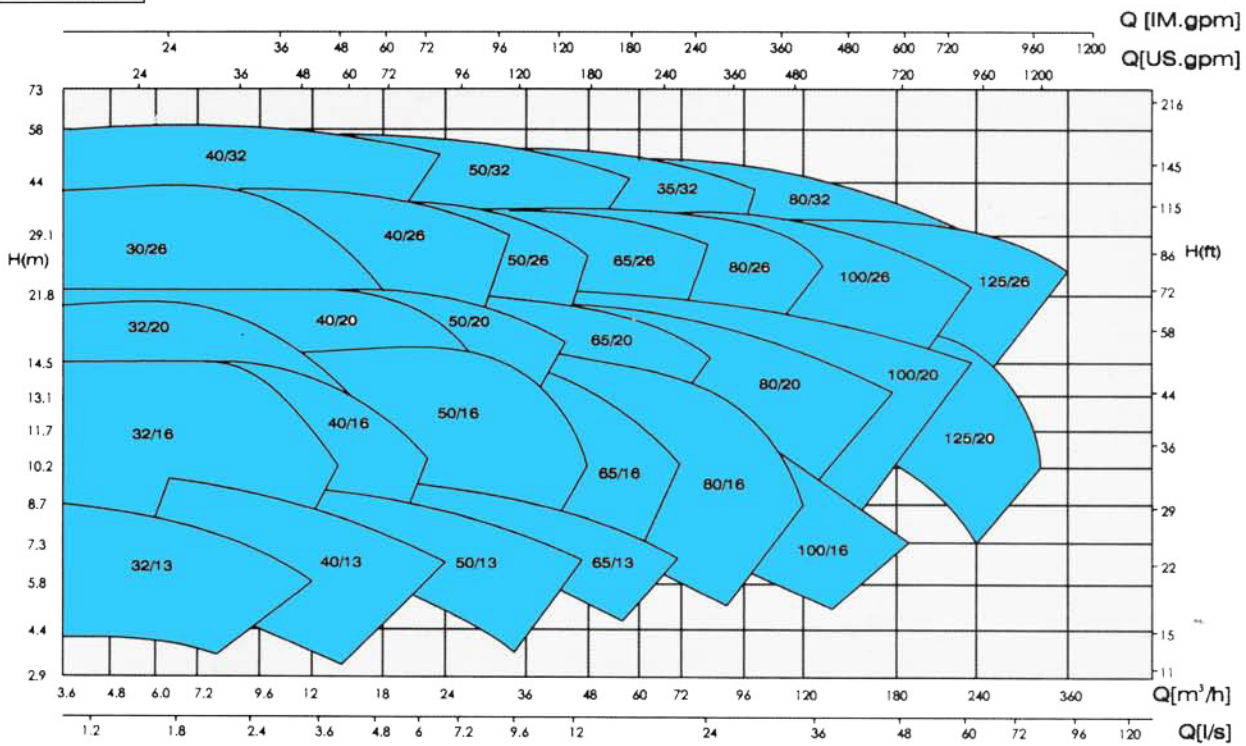
Temperature : -10C to 105C standard; optional 150C

Casing pressure : 10Bar standard.

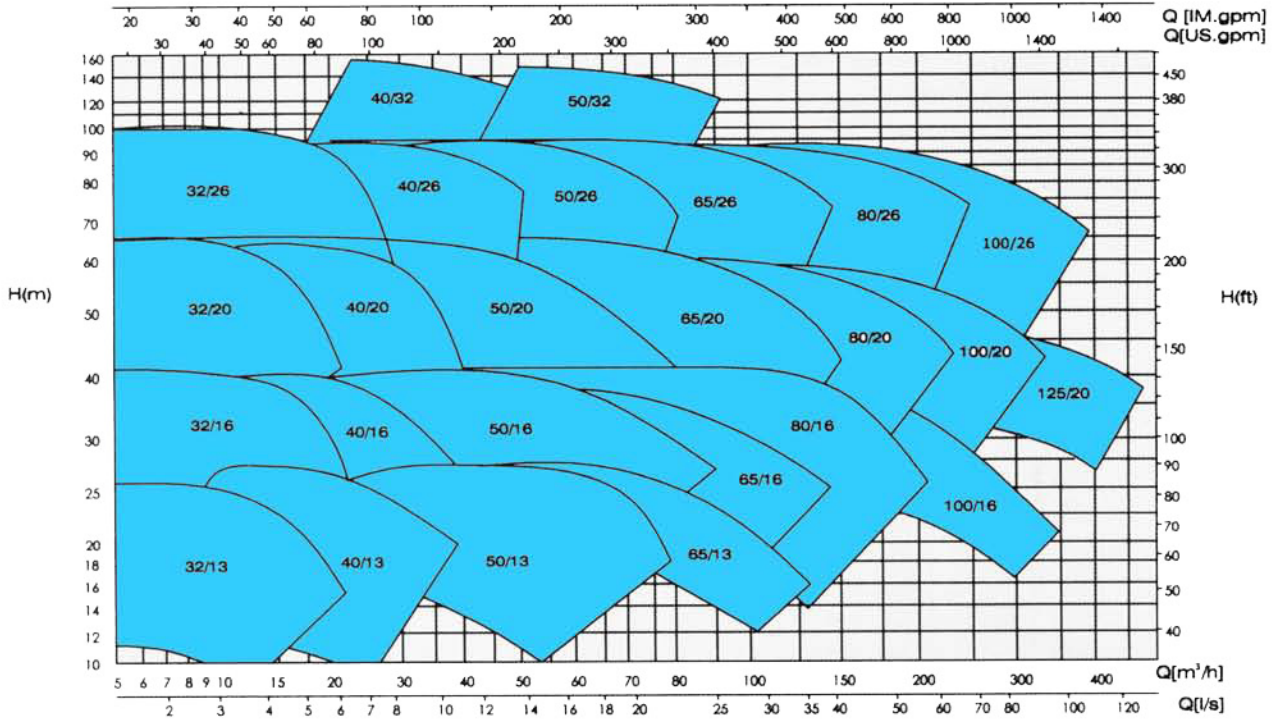
n=3500rpm



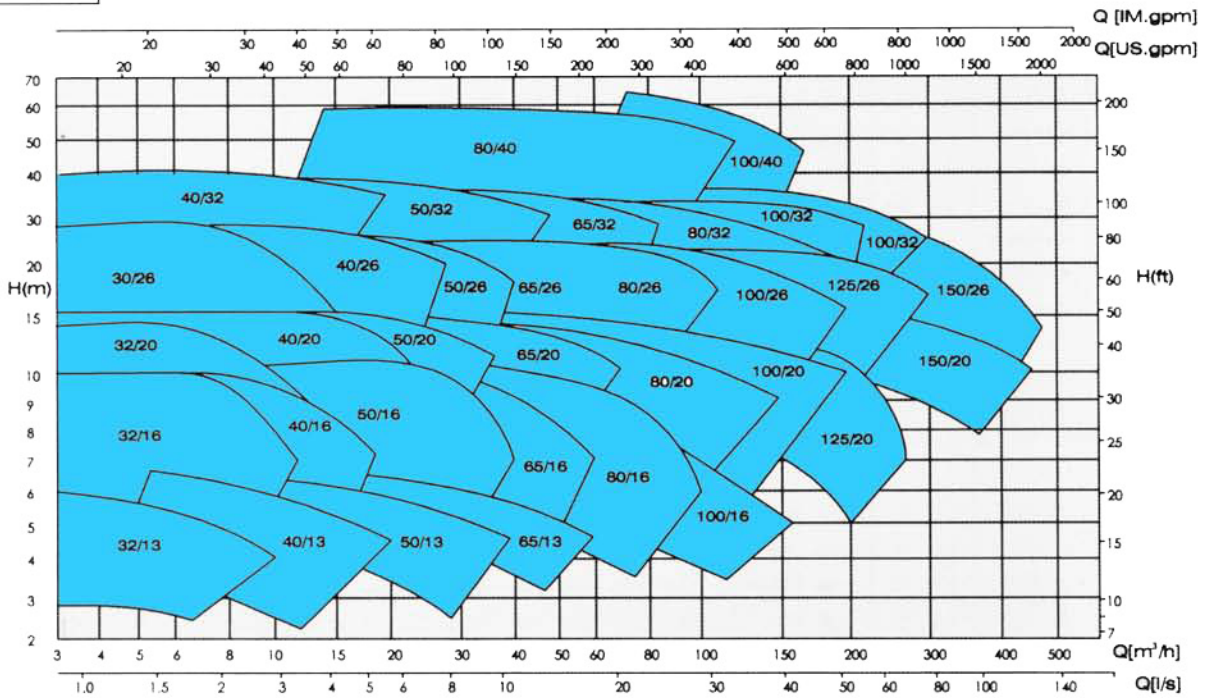
n=1750rpm



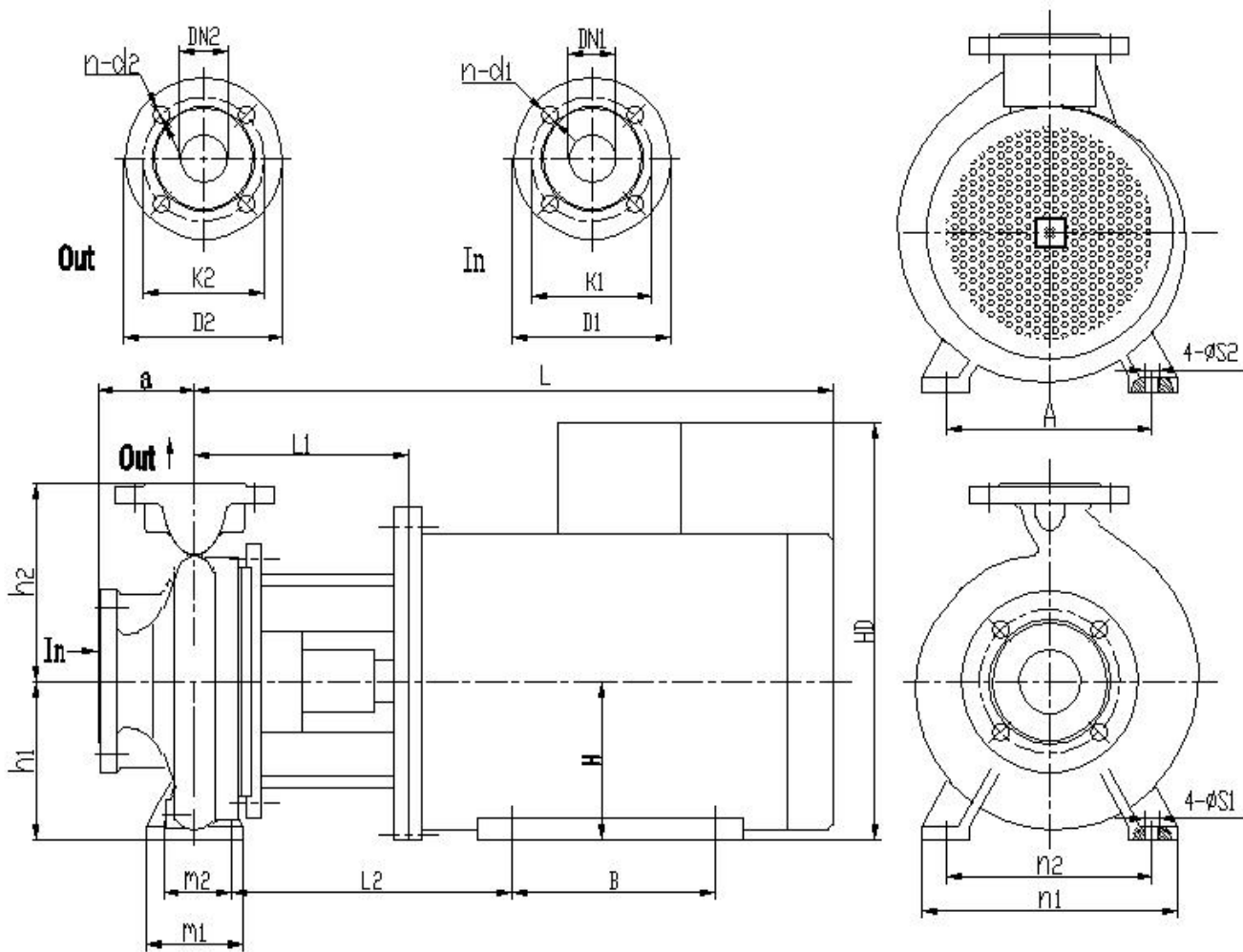
n=2900rpm



n=1450rpm



## Waterflo WFM- B Outline Drawing & Installing Dimentions(50HZ)



nr	Size	a	h1	h2	L1	L2	L	A	B	H	HD	m1	m2	n1	n2	S1	S2			
1	WFM32/13-00554	80	112	140	125	140	380	125	100	80	220	100	70	190	140	10				
2	WFM32/13-01102																			
3	WFM32/13-01502							141	162	411	140							100	90	250
4	WFM32/13-02202									436								125		
5	WFM40/13-00554							125	140	380	125							100	80	220
6	WFM40/13-00754																			
7	WFM40/13-01502							141	162	411	140							100	90	250
8	WFM40/13-02202									436								125		
9	WFM40/13-03002							142	170	467	160							140	100	270
10	WFM40/13-04002								177	482	190							140	112	300
11	WFM50/13-00554	100	132	160	125	140	380	125	100	80	220	100	70	240	190	14	10			
12	WFM50/13-00754																			
13	WFM50/13-01104							141	162	411	140							100	90	250
14	WFM50/13-04002							142	177	482	190								112	300
15	WFM50/13-05502																	140	132	345
16	WFM50/13-07502							181	235	571	216									

17	WFM65/13-01104	160	180	141	149.5	411	140	100	90	250	125	95	280	212					10					
18	WFM65/13-01504					436		125																
19	WFM65/13-05502			181	222.5	571	216	140	132	345														
20	WFM65/13-07502			191	251.5	696	254	210	160	420														
21	WFM65/13-11002																							
22	WFM32/16-00554	80	132	160	125	140	380	125	100	80	220	100	70	240	190				10					
23	WFM32/16-02202				141	162	436	140	125	90	250													
24	WFM32/16-03002				142	170	467	160	140	100	270													
25	WFM32/16-04002					177	482	190		112	300													
26	WFM32/16-05502				181	235	571	216	132	345														
27	WFM40/16-01104	80	132	160	141	162	411	140	100	90	250	100	70	240	190				10					
28	WFM40/16-03002				142	170	467	160	140	100	270													
29	WFM40/16-04002					177	482	190		112	300													
30	WFM40/16-05502				181	235	571	216	132	345														
31	WFM40/16-07502																							
32	WFM50/16-01504	100	160	180	141	162	436	140	125	90	250	125	95	265	212	14			15					
33	WFM50/16-07502				181	235	571	216	140	132	345													
34	WFM50/16-11002				191	264	696	254	210	160	420													
35	WFM65/16-02204			200	191	251.5	696	254	210	160	420													
36	WFM65/16-11002																							
37	WFM65/16-15002	751	254																					
38	WFM65/16-18502																							
39	WFM80/16-03004	125	180	225	142	157.5	467	160	140	100	270	125	95	320	250				12					
40	WFM80/16-15002				191	251.5	696	254	210	160	420													
41	WFM80/16-18502					751	254																	
42	WFM80/16-22002				264.5	781	279	241	180	455														
43	WFM80/16-30002				201	286.5	861	318	305	200	505													
44	WFM100/16-05504	200	250	197	226	587	216	140	132	345	160	120	360	280	18				12					
45	WFM100/16-30002			217	290	877	318	305	200	505														
46	WFM100/16-37002																							
47	WFM32/20-01104	80	160	180	141	162	411	140	100	90	250	100	70	240	190	14			10					
48	WFM32/20-05502				181	235	571	216	140	132	345													
49	WFM32/20-07502				191	264	696	254	210	160	420													
50	WFM32/20-11002																							
51	WFM40/20-01104	180	141	162	411	140	100	90	250										10					
52	WFM40/20-01504				436		125																	
53	WFM40/20-07502				181		235													571	216	140	132	345
54	WFM40/20-11002				191		264													696	254	210	160	420



