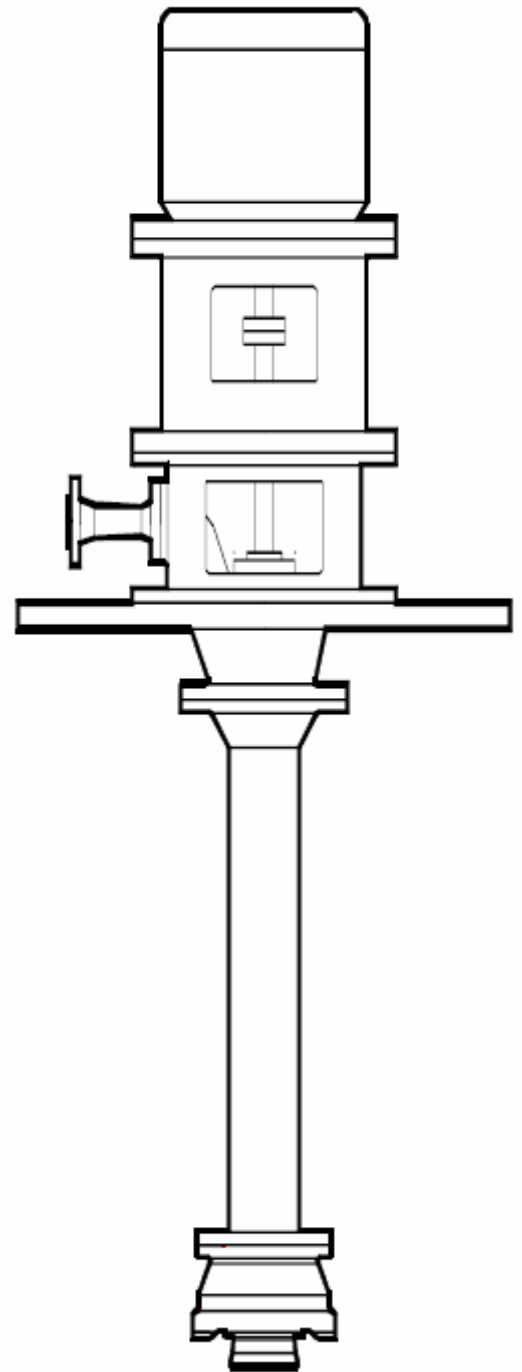




APIFLO LC Series

**Tankpump according to:
API610 8th edition.**



Capacity: up to 250m³/h (50Hz) up to 300 m³/h (60Hz)

Head: up to 150m (50Hz) up to 216m (60Hz)

Pump depth: up to 2.5 m

Pressure: up to 1.6 MPa

Temperature: -20~+500 °C

Application:

For handling natural or corrosive, clean or containing solid piratical liquids.

Mainly for petrochemical, chemical, food, drinks, pharmaceutical, textile industry, tank area, storage and delivery and so on.



1 General

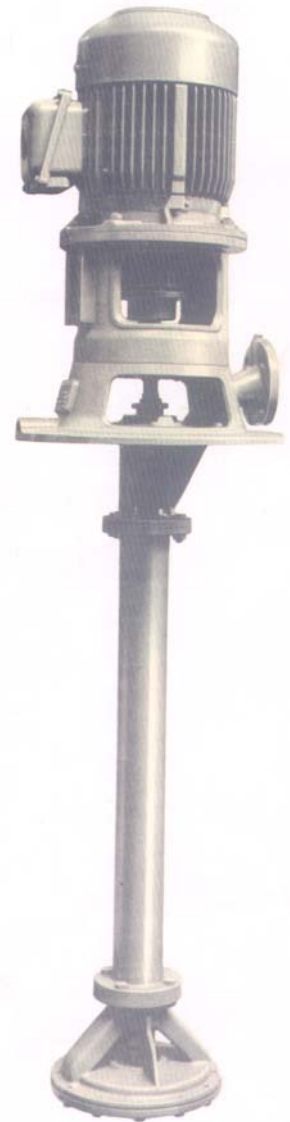
LC series of tank pumps are single stage, single suction vertical pump. It is specially designed to meet the requirements of unloading liquids in tanks.

2 Rotation direction

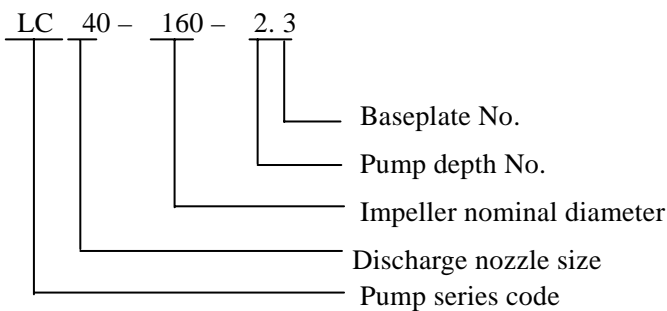
Clockwise viewed from the drive-end.

3 Construction features

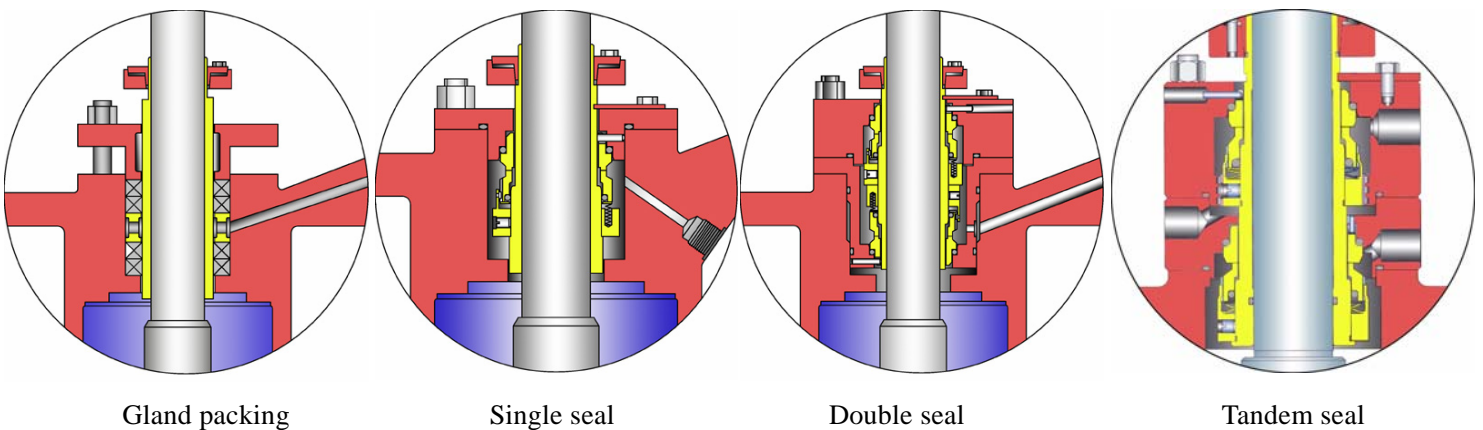
- ◇ Discharge water along the supporting column, less space required.
- ◇ Diffuser turn radial flow to axial flow, increase pumps' hydraulics performance.
- ◇ Rotaries can be axially adjusted.
- ◇ Reflux hole being opened at the seal chamber returns the leakage and self-flushing fluid to tank, so the environment contamination can be avoid.
- ◇ Shaft sealing system can be single, double, tandem or gland packing type.



4 Designation

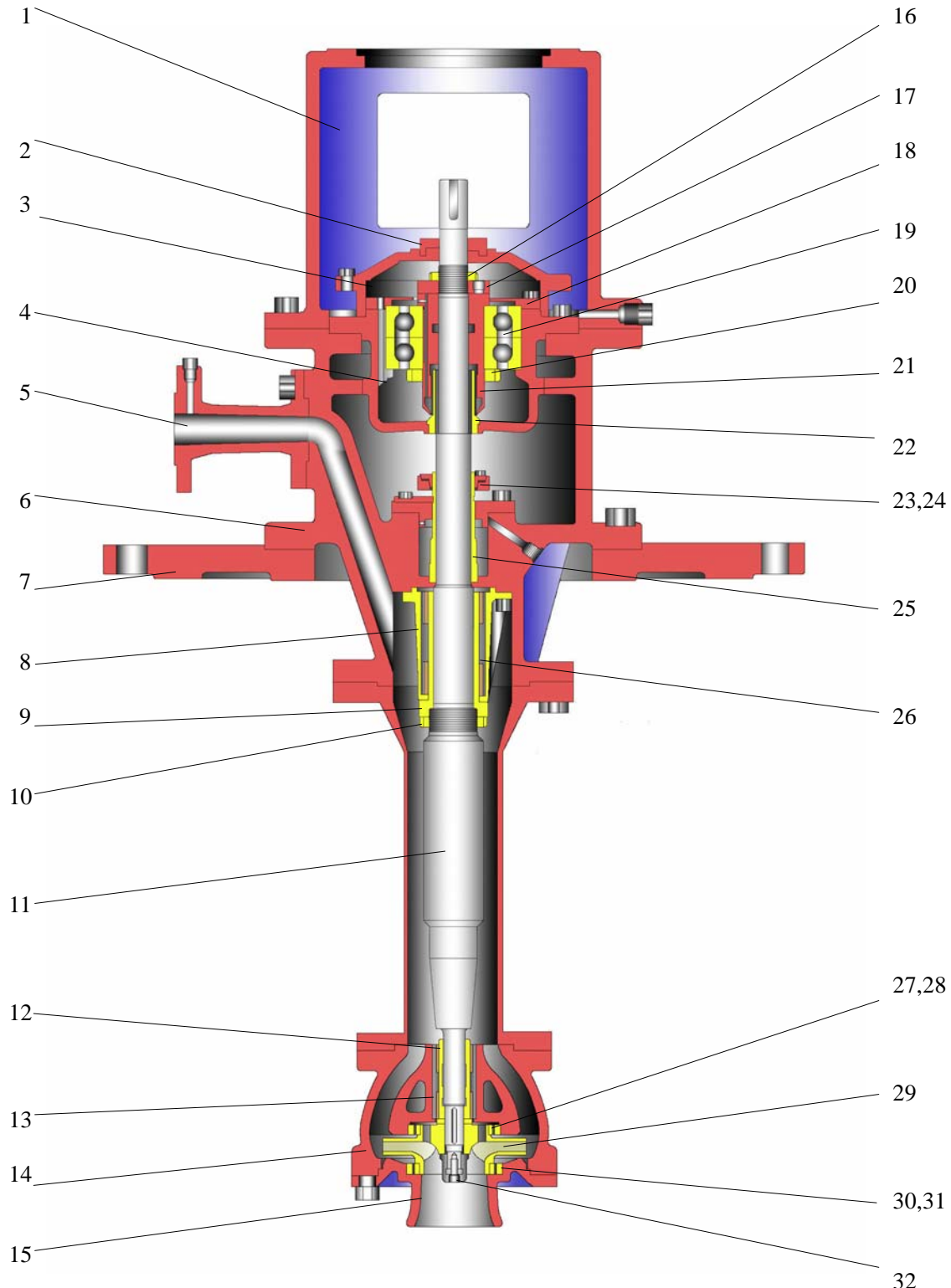


5 Shaft sealing





6 Cross sectional drawing



1 Motor pedestal	7 Baseplate	13 Bottom bush	19 Bearing	25 Seal assembly		
2 Deflector	8 Guide bearing	14 Diffuser	20 Lock nut	26 Middle bush	31 Casing cover wear ring	
3 Bearing cover	9 Middle sleeve	15 Casing cover	21 Bearing sleeve	27 Diffuser wear ring		
4 Bearing housing	10 Lock nut	16 Lock nut	22 Spacer sleeve	28 Impeller back wear ring	32 Impeller nut	
5 Discharge flange	11 Shaft	17 Adjusting nut	23 Clamp sleeve	29 Impeller		
6 Discharge frame	12 Bottom sleeve	18 Bearing cover	24 Clamp disk	30 Impeller front wear ring		



7 Performance coverage (50 Hz)

