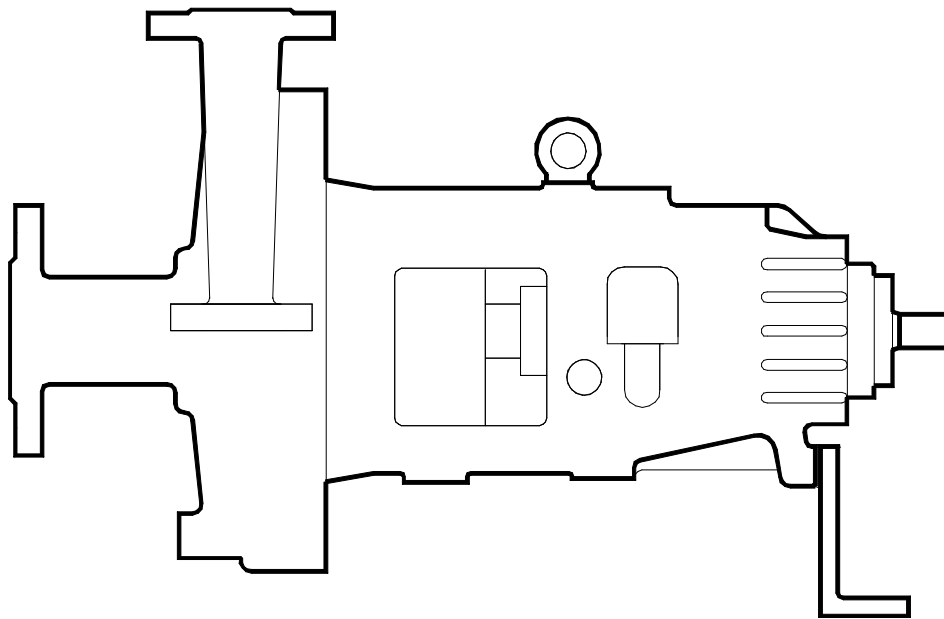




APIFLO-LF Series

Low-flow High-head Pump

According to API610



Capacity: 0.4~15m³/h (50Hz) 0.5~18m³/h (60Hz)

Head: 12~125m (50Hz) 17~180m (60Hz)

Pressure: 2.5 MPa

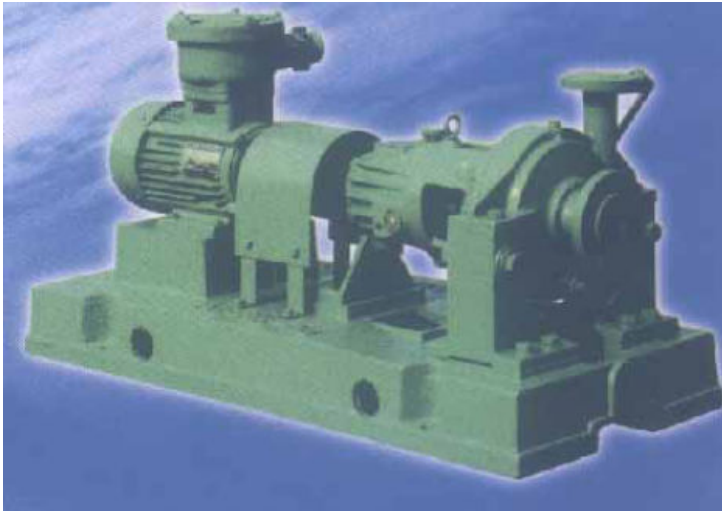
Temperature: -80~+450 °C

Application:

For pumping liquids in refineries, petrochemical plants, power plants, general process, pharmaceuticals, etc.



1 General



APIFLO-LF series of low-flow high-head chemical process pumps are of horizontal single stage and single suction centrifugal type. Mainly applied for pumping liquids in refineries, petrochemical plants, power plants, general process, pharmaceuticals, etc.

2 Construction features

Casing:

Horizontal overhung, radially split volute casing, centerline support, end suction, top discharge.

Impeller:

Enclosed type of impeller, axial thrust balanced by balance holes, residual axial thrust absorbed by bearings. Depending operating conditions, semi-open type of impeller are optional.

Shaft sealing: Gland packing, single mechanical, double mechanical and tandem mechanical seals are available.

Bearing:

Oil lubricating type, constant level oiler applied. Bearings are running under good lubricating conditions.

Standardization:

Only casings are not interchangeable between different pump sizes, lower running cost.

Maintenance:

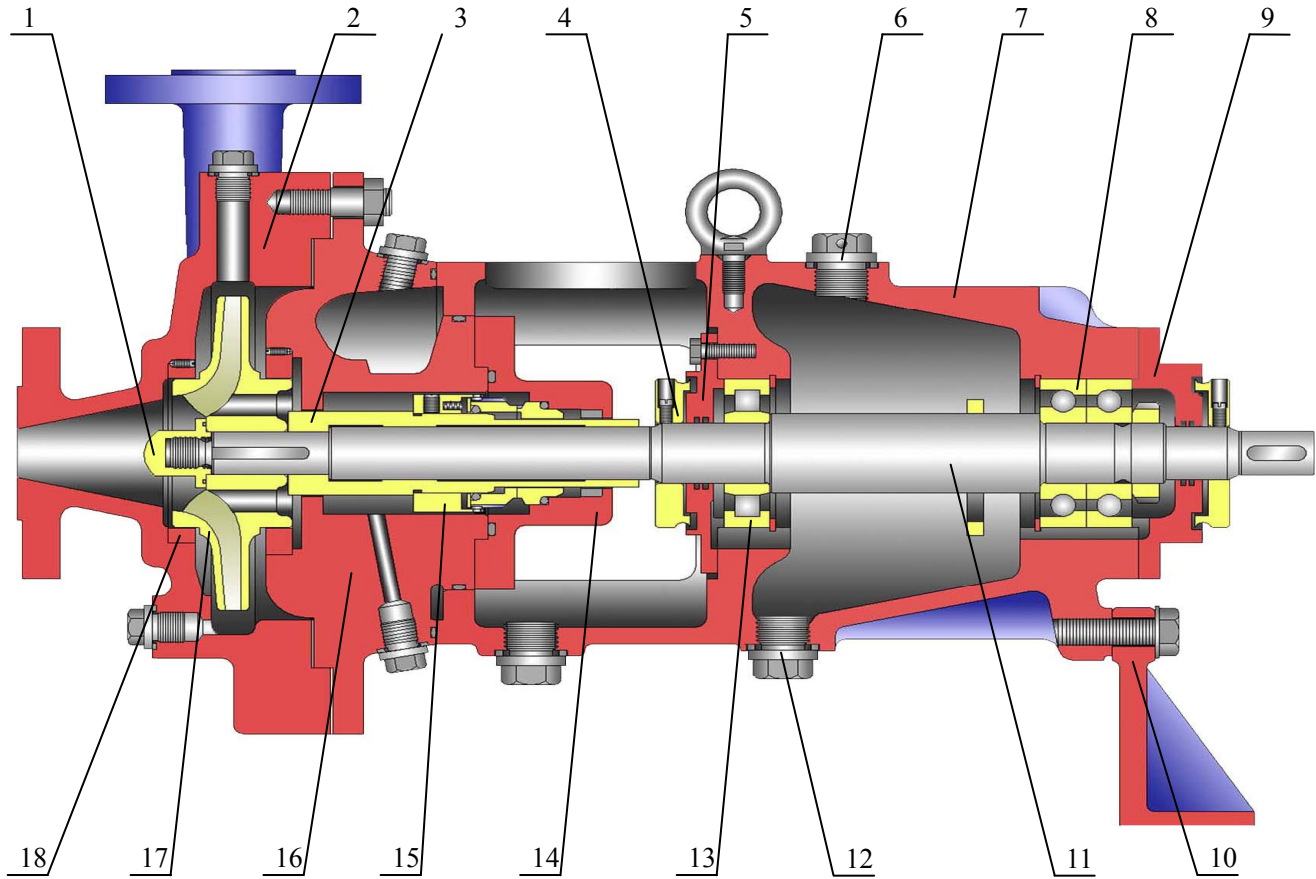
Back-pull-out design applied, maintenance can be done without disturbing pumps' discharge and suction piping.

3 Rotation direction

Clockwise viewed from the drive-end.



4 Cross sectional drawing

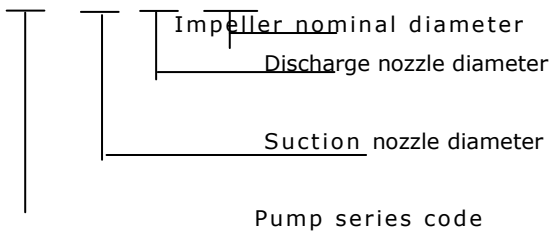


1 Impeller nut	2 Casing	3 Shaft sleeve	4 Deflector	5 Bearing cover (front)
6 Vent plug	7 Bearing housing	8 Angular contact ball bearings	9 Bearing cover (back)	10 Support
11 Shaft	12 Draining plug	13 Cylindrical roller bearing	14 Seal cover	15 Seal assembly
16 Casing cover	17 Impeller	18 Casing wearing ring		

5 Designation

6 Operating parameters

APIFLO-LF 20 - 15- 125



Capacity: 0.4~15m³/h (50Hz)

0.5~18m³/h (60Hz)

Head: 12~125m (50Hz)

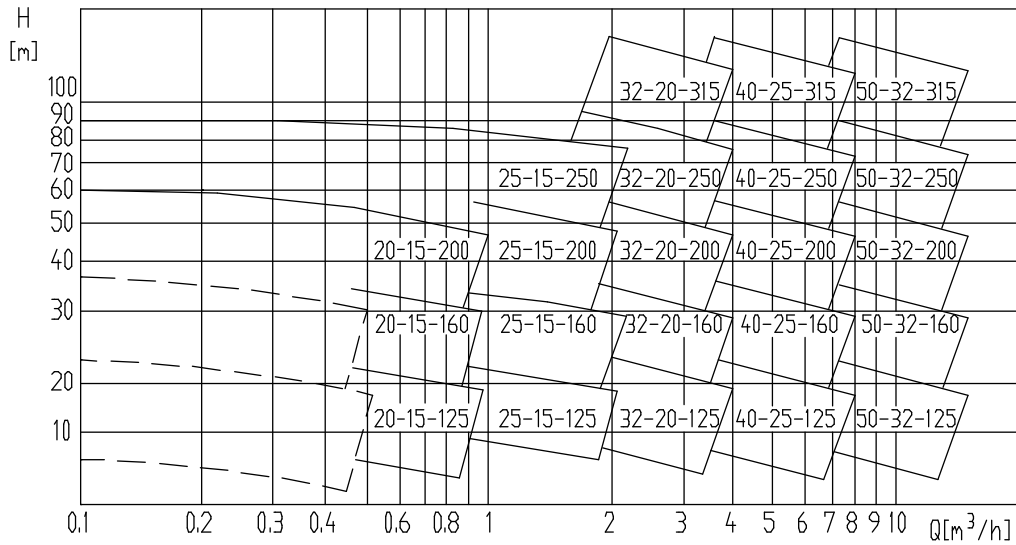
7~180m (60Hz)

Pressure: 2.5 MPa

Temperature: -80~+450 °C



7 Performance coverage



8 Performance table

Pump size	Capacity Q m³/h	Head H m	Specific gravity					
			1.00		1.35		1.84	
			Motor type	Power	Motor type	Power	Motor type	Power
APIFLO-LF 20-15-125	0.8	20	Y802-2	1.1	Y802-2	1.1	Y90S-2	1.5
APIFLO-LF 20-15-160		32	Y90S-2	1.5	Y90L-2	2.2	Y90S-2	2.2
APIFLO-LF 20-15-200		50	Y100L-2	3	Y112M-2	4	Y132S1-2	5.5
APIFLO-LF 25-15-125	1.6	20	Y802-2	1.1	Y802-2	1.1	Y90S-2	1.5
APIFLO-LF 25-15-160		32	Y90S-2	1.5	Y90L-2	2.2	Y100L-2	3
APIFLO-LF 25-15-200		50	Y100L-2	3	Y112M-2	4	Y132S1-2	5.5
APIFLO-LF 25-15-250		80	Y132S2-2	7.5	Y160M1-2	11	Y160M1-2	11
APIFLO-LF 32-20-125	3.2	20	Y802-2	1.1	Y90S-2	1.5	Y90L-2	2.2
APIFLO-LF 32-20-160		32	Y90L-2	2.2	Y100L-2	3	Y112M-2	4
APIFLO-LF 32-20-200		50	Y112M-2	4	Y112M-2	4	Y132S1-2	5.5
APIFLO-LF 32-20-250		80	Y132S2-2	7.5	Y160M1-2	11	Y160M2-2	15
APIFLO-LF 32-20-315		125	Y160M2-2	15	Y160L-2	18.5	Y180M-2	22
APIFLO-LF 40-25-125	6.3	20	Y90S-2	1.5	Y90L-2	2.2	Y100L-2	3
APIFLO-LF 40-25-160		32	Y100L-2	3	Y112M-2	4	Y132S1-2	5.5
APIFLO-LF 40-25-200		50	Y112M-2	4	Y132S1-2	5.5	Y132S2-2	7.5
APIFLO-LF 40-25-250		80	Y160M1-2	11	Y160M2-2	15	Y160L-2	18.5
APIFLO-LF 40-25-315		125	Y180L-2	18.5	Y180M-2	22	Y200L1-2	30
APIFLO-LF 50-32-125	12.5	20	Y90L-2	2.2	Y100L-2	3	Y112M-2	4
APIFLO-LF 50-32-160		32	Y100L-2	3	Y112M-2	4	Y132S1-2	5.5
APIFLO-LF 50-32-200		50	Y132S1-2	5.5	Y132S2-2	7.5	Y160M1-2	11
APIFLO-LF 50-32-250		80	Y160M1-2	11	Y160M2-2	15	Y160L-2	18.5
APIFLO-LF 50-32-315		125	Y180M-2	22	Y200L1-2	30	Y200L2-2	37