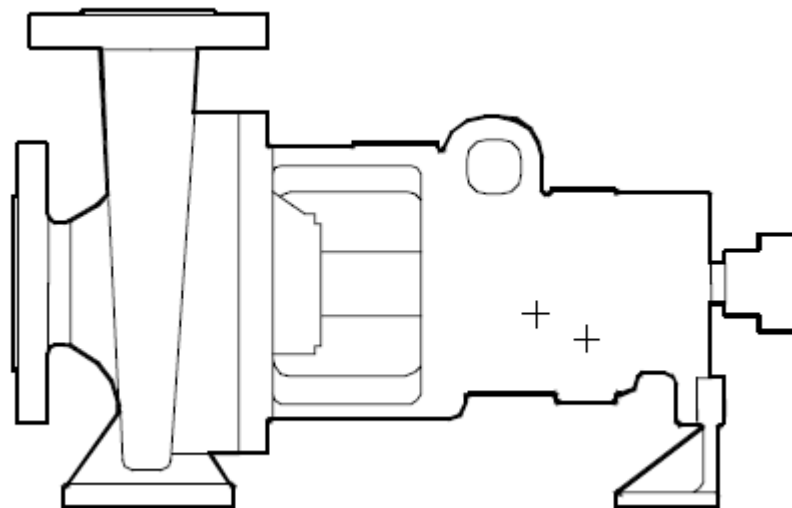




ISOFLO Series **Standard Chemical Process Pump**

According to DIN24256/ISO2858



Capacity: 2~2000 m³/h (50Hz) 2.4~2400m³/h (60Hz)

Head: up to 160m (50Hz), up to 230m (60Hz)

Pressure: ~2.5MPa

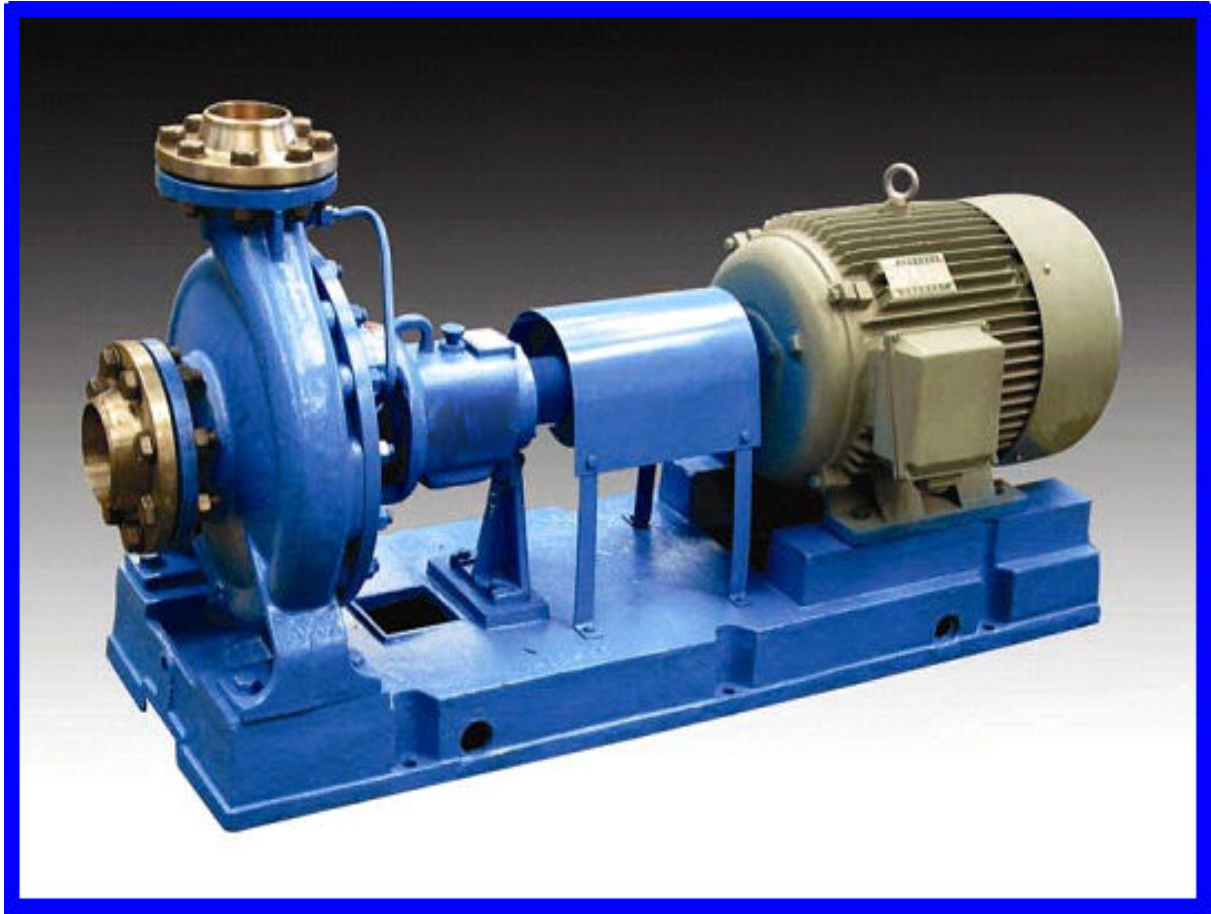
Temperature: -40~+260 °C

Application:

Chemical process, steel plant, power plant, paper and pulp, pharmaceuticals, food and sugar industry, etc.



1 General



ISO-FLO series are horizontal, single stage, single suction centrifugal pumps.

They are in accordance with the standard of DIN24256,ISO 2858.

They are the basic type of stand chemical process pump.

For the handling of the liquids with low temperature or high temperature, mild or corrosive, clean or containing some solid particles, toxic and flammable.



2 Construction Features

Volute Casing: Foot support.

Impeller: Close type, the axial thrusts are balanced by back-vane or balancing hole, the residual axial thrusts are load by bearing.

Casing Cover: Standard seal chamber dimensions, which can accommodate various type of seal.

Shaft Seal: Soft packing, single mechanical seal, double mechanical seal and tandem mechanical are all optional according to the operating conditions.

Bearing: Oil lubricating, oil level are automatically controlled by the constant level oiler, which ensure the bearings are always under good lubrication condition.

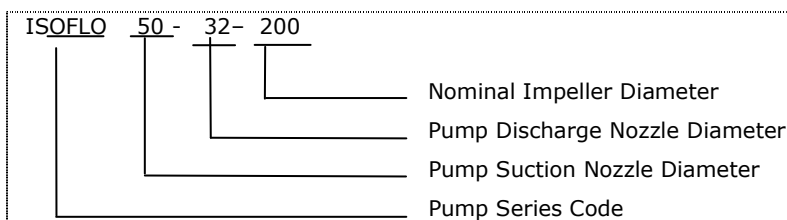
Back-pull-out Design: The pump's maintenance can be without disturbs the discharge and suction piping

3 Rotation direction

Clockwise viewed from the drive-end.

4.Designation

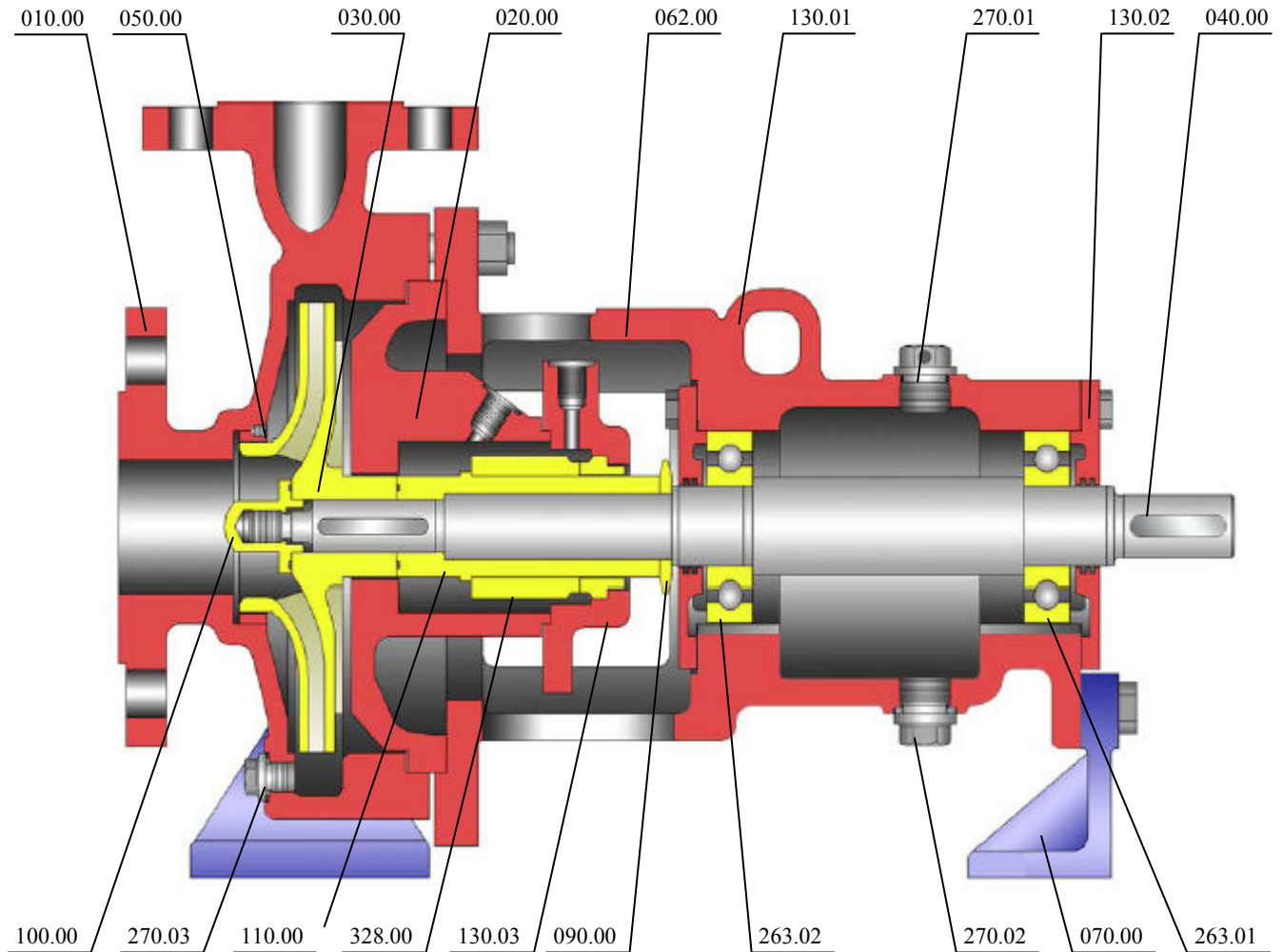
5.Operating parameters



Nozzle: DN 32~350 mm
 Capacity: Q 2~2000 m³/h
 Head: H up to 160 m
 Pressure: P up to 2.5 MPa
 Temperature: T -40~+260C



6 Cross sectional drawing



- | | | | |
|---|----------------------|--|----------------------|
| 010.00 Casing | 130.01 Bearing cover | 070.00 Support | 328.00 Seal assembly |
| 050.00 Casing wearing ring | 270.01 Vent plug | 270.02 Oil drainage | 110.00 Shaft sleeve |
| 030.00 Impeller
(Balancing hole design for large size of pump) | 130.02 Bearing cover | 263.02 Bearing
(Roller bearing for heavy duty) | 270.03 Drainage |
| 020.00 Casing cover | 040.00 Shaft | 090.00 Deflector | 100.00 Impeller nut |
| 062.00 Bearing housing | 130.03 Gland cover | 263.01 Bearing
(Duplex angular contact ball bearings for heavy duty.) | |



6 Overall performance curve

